

QVY ^{IMPROVED} Series

Unidirectional seal Knife Gate Valve



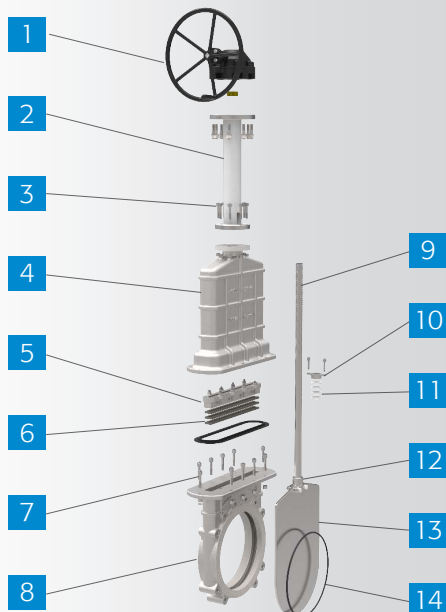
- Model:** QVYZ73X
- Working Pressure:** DN50-DN2000 25bar
DN2200-DN3000 16bar
- Type:** Wafer,Lug,Flange
- Design Standard:** MSS SP-81
- Flange Standard:** DIN PN10,PN16,150LB ,JIS 10K,TABLE E/D
- Face to Face:** MSS SP-81
- Testing Standard:** API-598
- Operation:** handwheel, electric, pneumatic, hydraulic, sprocket, electro-hydraulic, gear
- Main material:** F55,F53,2205,SS310,CF3M,CF3,CF8M,CF8 WCB, GGG40
F55, F53,2205, SS310, SS316L,SS316, SS304
- Wedge material:** EPDM,NBR,FKM,Metal
- Sealing material:** high-water-based rubber packing graphite wheel
- Packing:** Applicable for coal in power plant, slag discharge, sewage treatment, food, paper making, medicine, petroleum and chemical industry, water, Oil, steam, connecting or cutting grout, gold powder, ores, slag, coal, pulp, wood pulp, tailings, fibers, dust, chemicals, sewage treatment, sedimentation tanks, asphalt, bunker export, cereals, slaughter plant waste and other media.
- Applicable medium:**

Features:

- # Bi-directional seal
- # additional bonnet design
- # Gland type body & bonnet design(avoid fluid leak to bonnet)
- # Mixed with a variety of materials packing

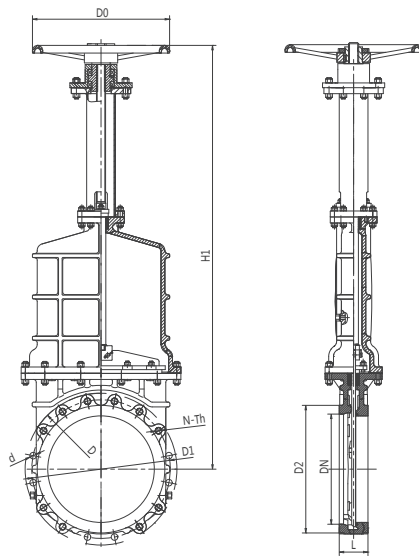
Product Description:

QVY Series is a blade in valve' packing, which will scrap dirty attached on knife and prevent dirty moving upward. There is a fully closed bonnet equipped with a flushing point, which will effectively prevent any leakage. This is packing and bonnet double sealing middle pressure knife gate valve.



Code	Name	Material	QTY
1	Gear box	Q235	1
2	Yoke	GGG40/CF8	1
3	Bolt & nut	SS201/SS304	N
4	Bonnet	F55.F53.CF3M.CF8M.CF8.WCB.GGG40	1
5	Packing gland	F55.F53.CF3M.CF8M.CF8.WCB.GGG40	1
6	Packing	EPDM/NBR/FKM/PTFE	3-5
7	Bolt & nut	SS201/SS304	N
8	Body	F55.F53.CF3M.CF8M.CF8.WCB.GGG40	1
9	Stem	SS201/SS304/SS316/2205	1
10	Packing gland	F55.F53.CF3M.CF8M.CF8.WCB.GGG40	1
11	Packing	PTFE	3-5
12	Chuck	SS201/SS304/SS316/2205	1
13	Disc	SS304/SS316/2205	1
14	Seat	EPDM/NBR/FKM	1

Dimension



unit:mm

DIN2632 PN10									ANSI 150LB								
DN	L	D	D1	D2	D0	N-Th	d	H1	DN	L	D	D1	D2	D0	N-Th	d	H1
50	48	165	125	99	180	4-M16	Ø18	292	2"	48	152	121	92	180	4-5/8"	Ø19	292
65	48	185	145	118	200	4-M16	Ø18	320	2-1/2"	48	178	140	105	200	4-5/8"	Ø19	320
80	51	200	160	132	200	8-M16	Ø18	348	3"	51	191	153	127	200	4-5/8"	Ø19	348
100	51	220	180	156	240	8-M16	Ø18	395	4"	51	229	191	157	240	8-5/8"	Ø19	395
125	57	250	210	184	260	8-M16	Ø18	450	5"	57	254	216	186	260	8-3/4"	Ø22	450
150	57	285	240	211	280	8-M20	Ø23	504	6"	57	279	242	216	280	8-3/4"	Ø22	504
200	70	340	295	266	300	8-M20	Ø23	617	8"	70	343	299	270	300	8-3/4"	Ø22	617
250	70	395	350	319	320	12-M20	Ø23	758	10"	70	406	362	324	320	12-7/8"	Ø25	758
300	76	445	400	370	350	12-M20	Ø23	857	12"	76	483	432	381	350	12-7/8"	Ø25	857
350	76	505	460	429	400	16-M20	Ø23	946	14"	76	533	476	413	400	12-1"	Ø29	946
400	89	565	515	480	450	16-M24	Ø27	1023	16"	89	597	540	470	450	16-1"	Ø29	1023
450	89	615	565	530	500	16-M24	Ø27	1091	18"	89	635	578	533	500	16-1 1/8"	Ø32	1091
500	114	670	620	582	500	20-M24	Ø27	1148	20"	114	699	635	584	500	20-1 1/8"	Ø32	1148
550	114	725	680	638	-	20-M27	Ø30	Gear	22"	114	750	692	641	-	20-1 1/4"	Ø35	Gear
600	114	780	725	682	-	20-M27	Ø30	Gear	24"	114	813	750	691	-	20-1 1/4"	Ø35	Gear
700	127	895	840	794	-	24-M27	Ø30	Gear	26"	114	870	806	749	-	24-1 1/4"	Ø35	Gear
800	127	1015	950	901	-	24-M30	Ø30	Gear	28"	127	927	864	800	-	28-1 1/4"	Ø35	Gear
900	127	1115	1050	1001	-	24-M30	Ø30	Gear	30"	127	985	914	857	-	28-1 1/4"	Ø35	Gear
1000	149	1230	1160	1112	-	28-M30	Ø30	Gear	32"	127	1060	978	914	-	28-1 1/2"	Ø41	Gear
1100	149	1340	1260	1220	-	28-M33	Ø30	Gear	34"	127	1110	1029	965	-	32-1 1/2"	Ø41	Gear
1200	156	1455	1380	1328	-	28-M33	Ø30	Gear	36"	127	1170	1086	1022	-	32-1 1/2"	Ø41	Gear
1350	171	1630	1540	1480	-	32-M36	Ø30	Gear	38"	149	1240	1149	1073	-	32-1 1/2"	Ø41	Gear
1400	171	1675	1590	1530	-	32-M36	Ø30	Gear	40"	149	1290	1200	1124	-	36-1 1/2"	Ø41	Gear
1500	198	1795	1705	1640	-	36-M39	Ø30	Gear	42"	149	1345	1257	1194	-	36-1 1/2"	Ø41	Gear
1600	198	1915	1820	1750	-	36-M39	Ø30	Gear	44"	149	1405	1314	1245	-	40-1 1/2"	Ø41	Gear
1800	219	2115	2020	1950	-	40-M39	Ø30	Gear	46"	149	1455	1365	1295	-	40-1 1/2"	Ø41	Gear
2000	250	2325	2230	2150	-	40-M45	Ø30	Gear	48"	156	1510	1422	1359	-	44-1 1/2"	Ø41	Gear
						44-M45	Ø30	Gear	50"	156	1570	1480	1410	-	44-1 3/4"	Ø51	Gear
						44-M45	Ø30	Gear	52"	156	1625	1537	1461	-	44-1 3/4"	Ø51	Gear
						48-M45	Ø30	Gear	54"	171	1685	1594	1511	-	44-1 3/4"	Ø51	Gear
									56"	171	1745	1651	1575	-	48-1 3/4"	Ø51	Gear